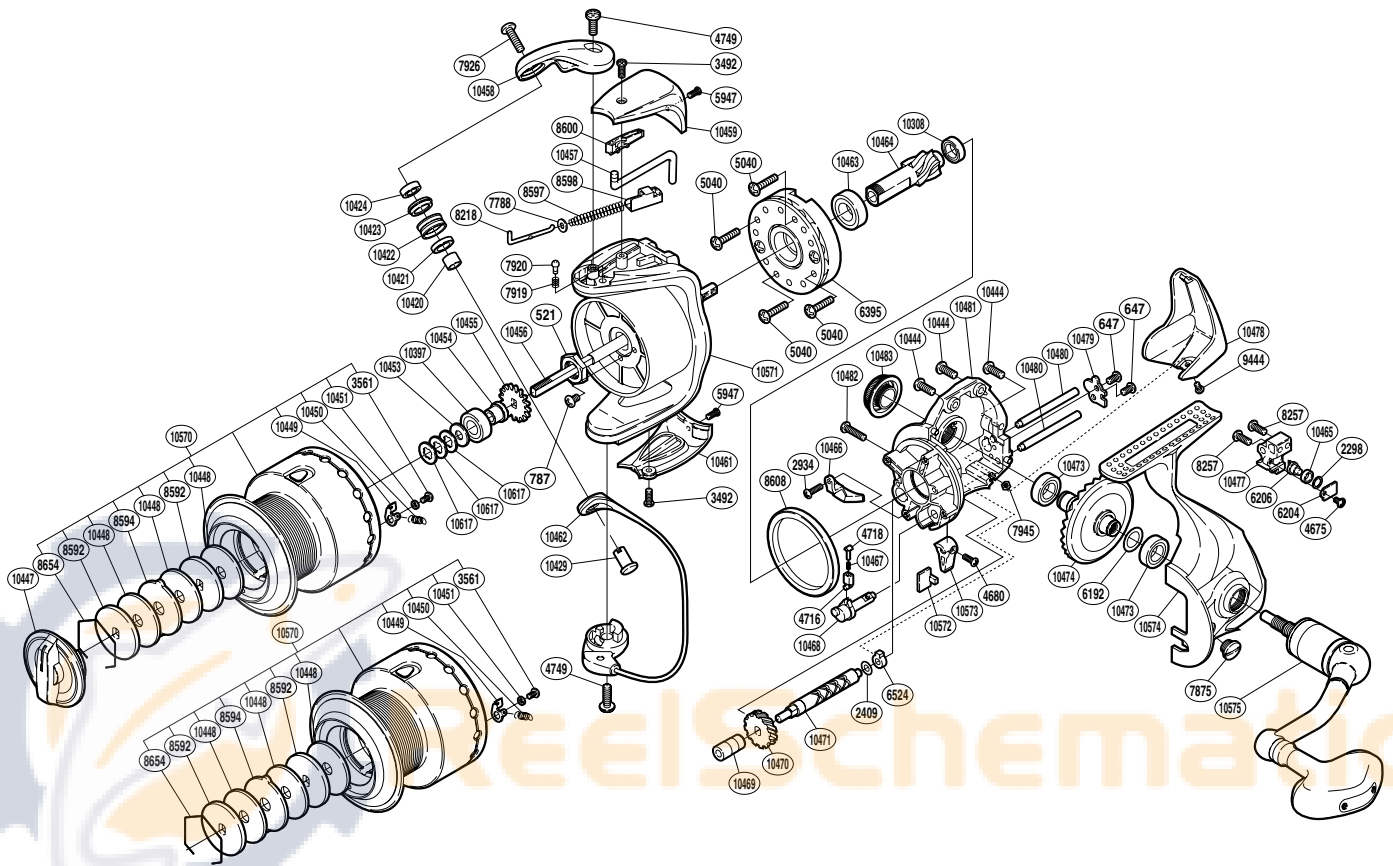


SHIMANO®

TWIN POWER A-RB

TP-6000FB



(1SG386002G)

Part No.	Description	Part No.	Description	Part No.	Description
RD 0521	Rotor Nut	RD 8592	Key Washer	RD10459	Bail Spring Cover
RD 0647	Screw	RD 8594	Eared Washer	RD10461	Rotor Side Cover
RD 0787	Screw	RD 8597	Bail Spring	RD10462	Bail Assembly
RD 2298	Spacer	RD 8598	Bail Spring Seat	RD10463	Ball Bearing
RD 2409	Spacer	RD 8600	Bail Trip Cover	RD10464	Pinion Gear
RD 2934	Screw	RD 8608	Friction Ring	RD10465	Oscillating Slider Bushing
RD 3492	Screw	RD 8654	Drag Washers Retainer	RD10466	Bail Trip Strike
RD 3561	Screw	RD 9444	Screw	RD10467	Anti-Reverse Cam Spring
RD 4675	Screw	RD10308	Ball Bearing	RD10468	Anti-Reverse Cam
RD 4680	Screw	RD10397	Ball Bearing	RD10469	Worm Bushing (front)
RD 4716	Spring Guide B	RD10420	Bearing Spacer	RD10470	Idle Gear
RD 4718	Spring Guide A	RD10421	Line Roller Collar	RD10471	Worm Shaft
RD 4749	Screw	RD10422	Line Roller	RD10473	Ball Bearing
RD 5040	Screw	RD10423	Line Roller Bushing	RD10474	Drive Gear
RD 5947	Screw	RD10424	Ball Bearing	RD10477	Oscillating Slider
RD 6192	Washer	RD10429	Line Roller Support	RD10478	Rear Protector
RD 6204	Oscillating Pawl Cover	RD10444	Screw	RD10479	Worm Shaft Retainer
RD 6206	Oscillating Pawl	RD10447	Drag Knob	RD10480	Oscillating Guide
RD 6395	Roller Clutch Assembly	RD10448	Drag Washer	RD10481	Body
RD 6524	Worm Bushing (rear)	RD10449	Drag Click	RD10482	Screw
RD 7788	Spring Guide A Support	RD10450	Click Spring	RD10483	Handle Screw Cap
RD 7875	Oil Cap	RD10451	Drag Click Collar	RD10570	Spool Assembly
RD 7919	Click Spring	RD10453	Spool Support B	RD10571	Rotor
RD 7920	Click Pin	RD10454	Bearing Bushing	RD10572	Anti-Reverse Lever Cover
RD 7926	Screw	RD10455	Spool Support	RD10573	Anti-Reverse Lever
RD 7945	Nut	RD10456	Main Shaft	RD10574	Side Cover
RD 8218	Bail Spring Guide A	RD10457	Bail Trip Lever	RD10575	Handle Assembly
RD 8257	Screw	RD10458	Bail Arm	RD10617	Spool Washer

(170613)